



CUSTOMER ADVISORY

ADV1704

FineLine BGA-1152, 35x35 mm with >2.2mm Thickness Shipping Tray Standardization

Change Description

Intel's Programmable Solutions Group ("Intel PSG", formerly Altera) is standardizing the shipping tray type to a single source.

Specific to FineLine BGA (FBGA)-1152 pins, 35x35mm with package thickness >2.2 mm package, the secondary tray source (KOSTAT KS-880690-M4) will now become the primary tray.

Table 1

Affected Package	Change From	Change To
FineLine BGA (FBGA)-1152 pins 35x35mm package thickness >2.2 mm	Primary tray: DAEWON T0809050	Primary tray: KOSTAT KS-880690-M4

- **KOSTAT KS-880690-M4 is already a qualified tray and the tray dimensions are comparable to DAEWON T0809050.**
- A DAEWON T0809050 tray and a KOSTAT KS-880690-M4 tray cannot be stacked (non-stackable) together and should be handled separately.
- However, there is no mixing of different tray types in the same inner box.
- After depletion of the DAEWON T0809050 tray inventory, only one (1) tray type will be maintained (KOSTAT KS-880690-M4), and no secondary source will be maintained.

Please see "Additional Change Description" section for a comparison of the two trays.

Recommended Action

This change does not impact the product and there is no anticipated impact to the customer's board assembly process.

However, we request the customer to review and provide any feedback should there be any concerns or issues.

Products Affected:

All products in the FBGA – 1152 pins, 35x35mm, >2.2mm thickness package.

Note:

1. For a complete list of affected ordering codes (OPNs), please click on "ADV1704 OPN List rev 1.xls".
2. If unable to launch the Excel file, please request for the ADV1704 affected OPN list from your Intel PSG contact.

Reason for Change

Intel PSG is standardizing to only one (1) shipping tray type. KOSTAT KS-880690-M4 was selected because of better design: rounded corners with lower potential of inducing puncture to the moisture barrier bag (MBB).

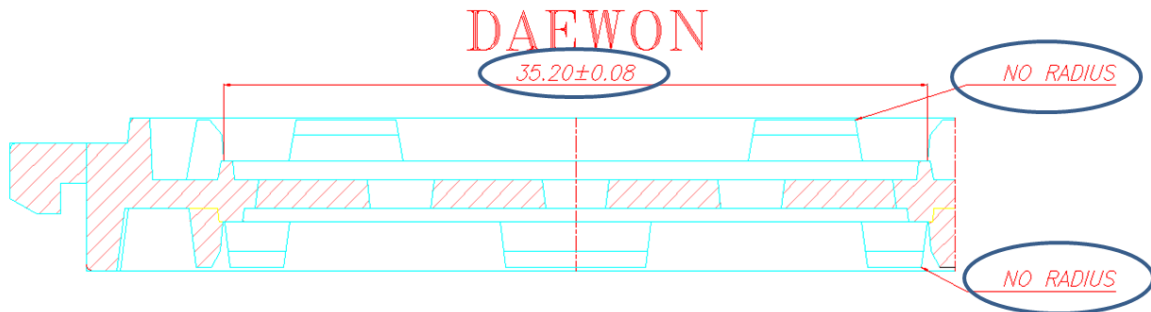
Change Implementation

Intel PSG will continue to ship both tray types (DAEWON T0809050 tray and KOSTAT KS-880690-M4) until the DAEWON T0809050 tray is depleted. Estimated depletion period is within this year, 2017.

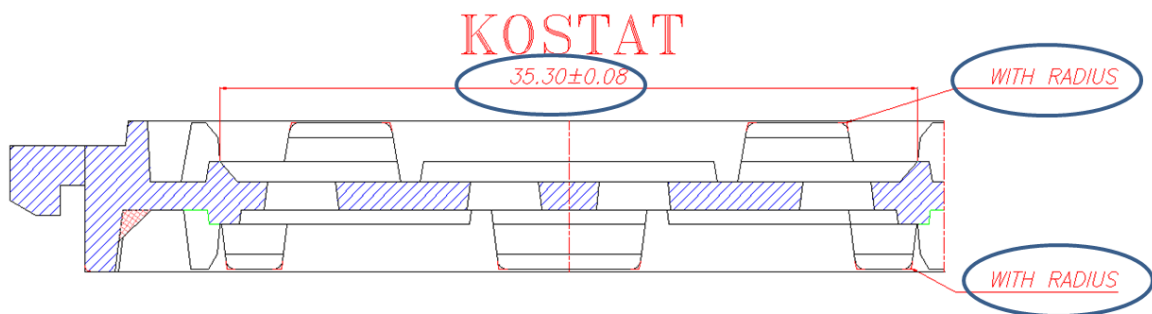
Additional Change Description

Comparison of the DAEWON T0809050 tray and KOSTAT KS-880690-M4 tray.

Existing Primary Tray (will be depleted)



New Primary Tray (previously secondary source)



POCKET SIZE – 35.30 ± 0.08 CAN ACCOMMODATE ± 0.2 M PACKAGE TOLERANCE
RADIUS ON FENCE EDGES ELIMINATE VAPOR BARRIER BAG TO BE PUNCTURED

Contact

For more information, please contact Sales or Customer Quality Engineering (CQE) in your region, or submit a Service Request at Intel PSG's [mySupport](#) website.

Customer Notifications Subscription

Customers that have subscribed to Intel PSG's customer notification mailing list will receive the PCN document automatically via email.

If you would like to receive customer notifications by email, please subscribe to our customer notification mailing list at:

<https://www.altera.com/subscriptions/email/signup/eml-index.jsp>

Revision History

Date	Rev	Description
03/21/2017	1.0.0	Initial Release

©2017 Intel Corporation. All rights reserved. Intel, the Intel logo, Altera, ARRIA, CYCLONE, ENPIRION, MAX, NIOS, QUARTUS and STRATIX words and logos are trademarks of Intel Corporation or its subsidiaries in the U.S. and/or other countries. Other marks and brands may be claimed as the property of others. Intel reserves the right to make changes to any products and services at any time without notice. Intel assumes no responsibility or liability arising out of the application or use of any information, product, or service described herein except as expressly agreed to in writing by Intel. Intel customers are advised to obtain the latest version of device specifications before relying on any published information and before placing orders for products or services.